

Raz Rehab Shower Chairs AT Model

User's Manual



**A guide to help users and caregivers in the safe usage and
maintenance of Raz Rehab Shower Chairs**

SAFETY PRECAUTIONS

Failure to comply may cause injury or damage!

It is important that the user(s), and/or the caregivers of the user(s) read and thoroughly understand the User's Manual. If there are any parts of the User's Manual that are not understood, clarification should be sought prior to using the product. Up-to-date manuals are available online at www.razdesigninc.com. For clarification of any section of this manual, call the dealer that provided your Raz Rehab Shower Chair. If the dealer is unable to address certain concerns or questions, contact the Canadian distributor or manufacturer.

IN CANADA
 Dynamic Health Care Solutions
 Bolton, Ontario Canada
 905.951.8541 / 866.875.2877
info@dynamichcs.com

IN THE U.S.A
 Raz Design Inc.
 Toronto, Ontario Canada
 1.877.720.5678
info@razdesigninc.com

CHAIR CLASSIFICATION BASED ON MAXIMUM USER WEIGHT	
AT	300 lbs (136 kg)

SAFETY WARNINGS TO CONSIDER FOR USE PURPOSES

Forward Stability

The front 5" casters on all models are equipped with dual locks. The step-on lever activates both the roll lock and the swivel lock. **It is essential that all casters on the shower chair be in the outward position before engaging the locks for optimal forward and lateral stability.** If so equipped, disengage the optional directional caster lock first before rotating the rear caster to the rearward position and applying the dual caster lock.



USERS MUST NOT lean forward while sitting in the Raz Shower Chair as this may cause the chair to tip forward.

USERS MUST NOT wheel down a ramp without an attendant who can hold onto the chair during the descent.

CASTER LOCKS ARE NOT BRAKES! Never use caster locks to slow down the shower chair when descending inclines as this could cause the chair to tip in the direction of travel.



Lateral Stability

USERS MUST NOT lean over the edge of a Raz Shower Chair as this could cause the chair to tip.

USERS MUST NOT attempt to pick up objects from the floor by leaning over and reaching – a reacher or assistance from others should be employed.

USERS MUST NOT position the Raz Shower Chair on a side slope as this could cause it to tip.



Ramps and Other Inclines

Ramps and other surfaces that are not level (such as slopes into wheel-in showers) must be tested with an attendant to ensure that they do not compromise the chair's stability. A qualified healthcare professional should be consulted to assist with this process.

DO NOT push or pull the Raz AT or up or down an incline or ramp that exceeds a 1:12 grade (5° slope). If unsure of the ramp grade, contact your authorized Raz dealer for assistance.

DO NOT allow any user to be propelled (pushed or pulled) in a Raz AT Shower Chair in any other manner than by an attendant.

ALWAYS CHECK THAT THE RAZ AT SHOWER CHAIR IS STABLE BEFORE IT IS OCCUPIED BY ANY USER AT ANY TIME.

Immersion

The Raz Shower Chair is not designed to be used as a pool chair. Do not immerse the shower chair in whole or in part, in water or any other liquid, otherwise damage to the shower chair components may result.

Transfers

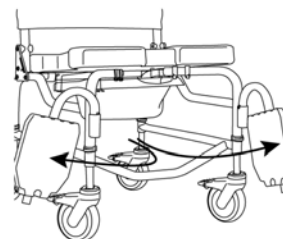
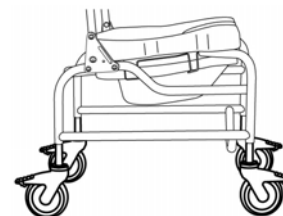
The most dangerous part of using any shower chair is the transfer. Since every chair has different stability characteristics, it is essential to carefully review and test the transfer technique to ensure that the procedure is safe. Test transfers should be performed with an attendant who can prevent the chair from tipping or moving during the transfer. If you feel that the transfers cannot be repeatedly performed safely, contact a physical or occupational therapist who is familiar with transfer techniques and options. Individuals who have not learned proper transfer skills must seek assistance during transfers and may require the use of a mechanical lift.

Transferring onto a Raz AT Shower Chair – **ALWAYS** lock all four casters in their outward position (front casters positioned in the forward position / rear casters positioned to the rear) for maximum chair stability. Caster locks **DO NOT and CANNOT** prevent the casters from sliding and the shower chair from moving if the floor is slippery. A slippery floor can be caused by dust, water, soap or any substance that does not allow the casters to grip the floor securely.

Transfers should never be attempted with the shower chair positioned on slippery surfaces. It is recommended that transfers be performed on clean, dry non-slippery surfaces; a fully-carpeted surface is optimal. Be aware that area rugs and shower mats can slide on floors and thereby present a hazardous surface.

DO NOT stand on any part of the frame of the Raz AT Shower Chair.

NEVER use the footplates to assist in transfers. This could cause the chair to tip. The footrests should be swung to the side or removed entirely during transfers to provide unobstructed access to the shower chair.



Tilt Function

ALWAYS check the tilt function and ensure both locking gas springs and release cable assemblies are fully operational **BEFORE** the chair is occupied by the user.

ALWAYS use a pelvic support strap as an additional safeguard for the user in a tilted position. A pelvic strap may be ordered as an option with the Raz-AT.

DO NOT attempt to tilt an occupant if the attendant is physically incapable of safely and smoothly operating the tilt function.

NEVER leave the user unattended in a tilted position in a Raz AT Shower Chair.

The Raz AT Shower Chair *is* **NOT** intended for use as a transportation device or a long-term seating system.

Users should NEVER be left unattended in a Raz AT Shower Chair.

IMPORTANT !

IF IT IS EVER FELT THAT ANY ASPECT OF THE RAZ SHOWER CHAIR IS IN NEED OF MAINTENANCE, CONTACT YOUR DEALER. ANY PROBLEMS THAT COULD AFFECT THE SAFE USAGE OF THE CHAIR MUST BE ATTENDED TO IMMEDIATELY. THE DEALER THAT PROVIDED THE SHOWER CHAIR MUST BE CONTACTED SO THAT REPAIRS CAN BE MADE PRIOR TO USING THE CHAIR. IT MUST BE MADE CLEAR TO THE DEALER THAT THE SHOWER CHAIR IS IN NEED OF MAINTENANCE AND IS UNAVAILABLE FOR USE UNTIL REPAIRS HAVE BEEN UNDERTAKEN AND ALL PROBLEMS RESOLVED.

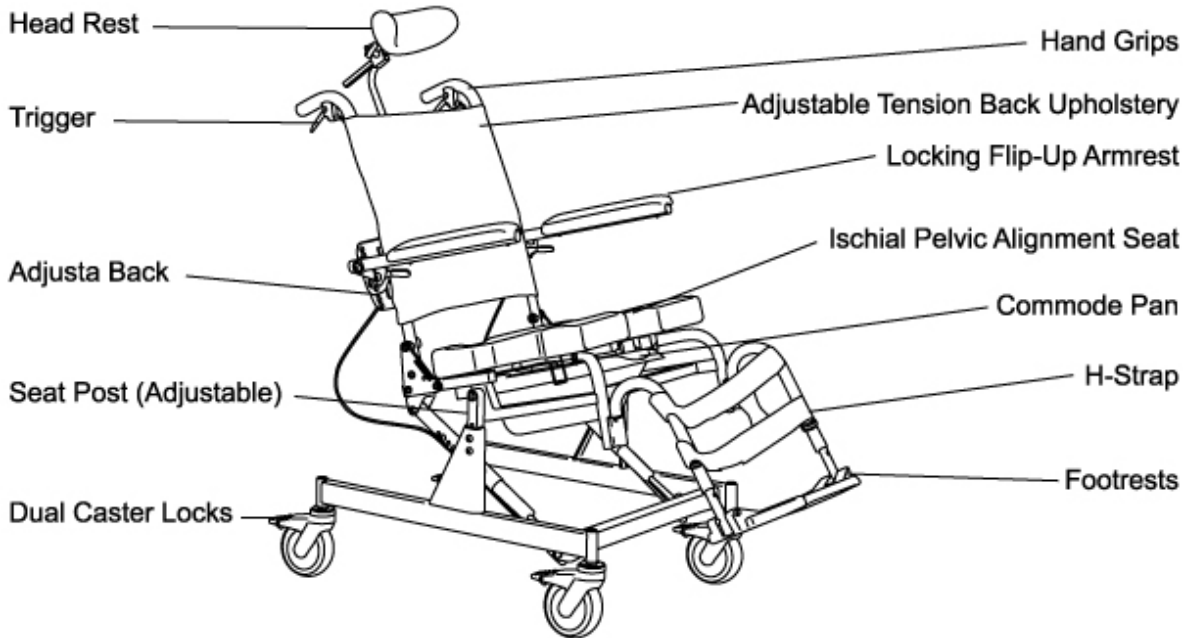
USER'S MANUAL TABLE OF CONTENTS

Page

1.0	GENERAL INFORMATION	
1.1	Raz Rehab Shower Chair AT Model Overview	6
1.2	Raz Rehab Shower Chair AT Model Specifications	6
2.0	USE AND OPERATION	
2.1	IPAS (Ischial Pelvic Alignment Seat).....	7
2.2	Backrest	8
2.3	Armrests	8
2.4	Commode Pan	9
2.5	Casters	9
2.6	Directional Caster Lock	9
2.7	Tilt Function.....	10
2.8	Tilt Assist Pedal.....	10
2.9	Swing-Away Lateral Supports	11
2.10	Headrest.....	11
2.11	Footrests	12
2.12	Chest Strap	12
2.13	Pelvic Strap	12
2.14	H-Strap.....	13
2.15	Fasteners	13
3.0	CLEANING AND MAINTENANCE	
3.1	Cleaning After Each Use	14
	Commode Pan	14
	IPAS Seat.....	14
3.2	Cleaning As Needed	14
	Adjustable Tension Backrest Upholstery.....	14
	Frame, Armrests, Footrests, and Other Components	14
3.3	Suggested Cleaning Products.....	15
4.0	CONTACTS	15

1.0 GENERAL INFORMATION

1.1 Raz Rehab Shower Chair AT Model Overview



1.2 Raz Rehab Shower Chair AT Model Specifications

SPECIFICATION	RAZ AT
TILT FUNCTION	Gas spring assisted, up to 40° tilt range
SEAT WIDTH	18"
SEAT DEPTH	16" or 19"
SEAT ADJUSTMENT	Up to 2" (fore/aft)
SEAT HEIGHT (front seat to floor)	21" – 25"
CLEARANCE HEIGHT (under seat)	12.5" – 16.5" w/ pan 16.5" – 20.5" w/o pan 18.75" – 22.75" w/o pan bracket
BACK TYPE – Standard Fixed Height., Flip-Up Armrests	17" back height (Z505) 20" back height (Z514)
BACK TYPE – Optional Adj. Ht./Angle, Flip-Up Locking Armrests	Adjusta-back 17" back height (Z510) 20" back height (Z515) 24" back height (Z520)
ARMREST HEIGHT	8.5" (Z505) 9.5" (Z506) 7" – 9.5" (Z510) 8" – 10.5" (Z515)
WIDTH BETWEEN ARMREST PADS	18.5"
LATERAL SUPPORT (adjustment range)	1.0" – 1.75" offset 2" vertical 1" fore/aft ± 5°
FOOTREST ADJUSTMENT (seat to footplate)	16" – 20.5"
CASTER TYPE AND SIZE	Four dual-locking 5" casters
OVERALL WIDTH	23.0" w/ std. arm pad 25.5" w/ Z715 arm pad
OVERALL LENGTH w/ FOOTRESTS	45.3"
OVERALL LENGTH w/o FOOTRESTS	33.6"
WEIGHT CAPACITY	300 lbs.
PRODUCT WEIGHT	65 lbs.
FRAME AND HARDWARE MATERIAL	Stainless Steel

2.0 USE AND OPERATION

IMPORTANT !

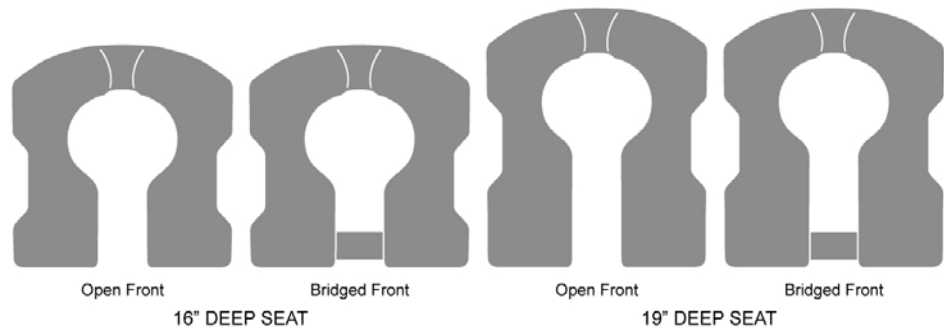
ADJUSTMENTS SHOULD NEVER BE ATTEMPTED WITH THE USER IN THE CHAIR.

2.1 IPAS (Ischial Pelvic Alignment Seat)

The unique seat on all Raz AT Shower Chairs was designed to help stabilize the pelvis and contoured for pressure reduction. The seats are made from a soft, integral-skin foam and are available in four configurations: 16" deep open front, 16" deep bridged front, 19" deep open front, and 19" bridged front. Each seat is also available with an optional visco-foam interface for maximum comfort and pressure reduction. The seat provides 2" of fore and aft adjustment and readily locks in place for use and removal with quick-release clips. An option for spacers for anterior or posterior seat angle adjustment is available with the Raz Shower Chair. The seat-to-floor height achievable on the Raz AT Shower Chair is between 21" and 25" and the chair fits over most standard toilet bowls when the commode pan is not in place.

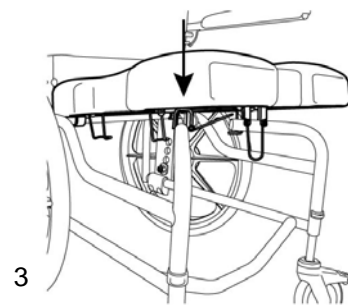
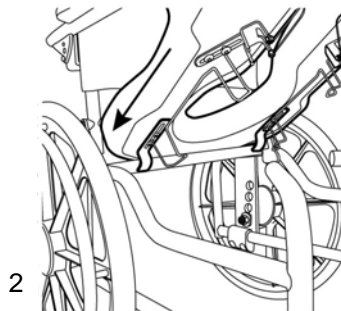
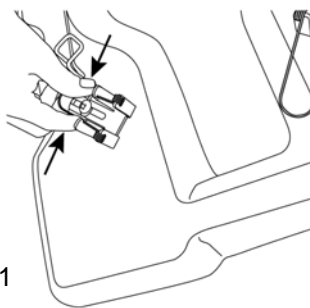
Seat Options

Please Note: 16" Open Front Seat comes standard with the Raz Rehab Shower Chair



Seat Installation

1. Open the spring clips by squeezing each inward to unlatch the free end from the seat bracket.
2. Slide the rear of the seat over the rear crosstubes as the front of the seat is lowered onto the frame. Check to make sure that the rear seat brackets hook below the crosstubes.
3. Lower the front of the seat until the front seat brackets nestle onto the front seat support tubes.
4. Secure the seat in place by latching the spring clips. To latch the spring clips, squeeze each clip inward while moving the free end towards the seat until the spring clip clicks into the seat bracket across the front support tubes.



Seat Removal

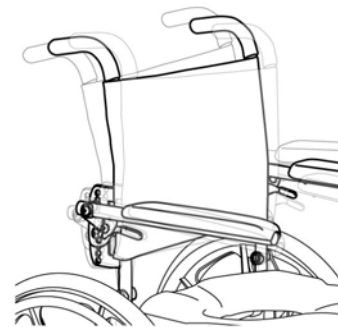
1. Unlatch the spring clips from the front seat brackets.
2. Lift the front of the seat directly up.
3. Pull the seat towards the front of the chair to unhook the rear brackets.

IMPORTANT !

NEVER ATTEMPT TO CHANGE THE SEAT HEIGHT WITHOUT THE HELP OF A QUALIFIED DEALER. ADJUSTED SEAT POSITIONS WILL REDUCE THE CHAIR'S STABILITY AND MAY RESULT IN TIPPING AND INJURY.

2.2 Backrest

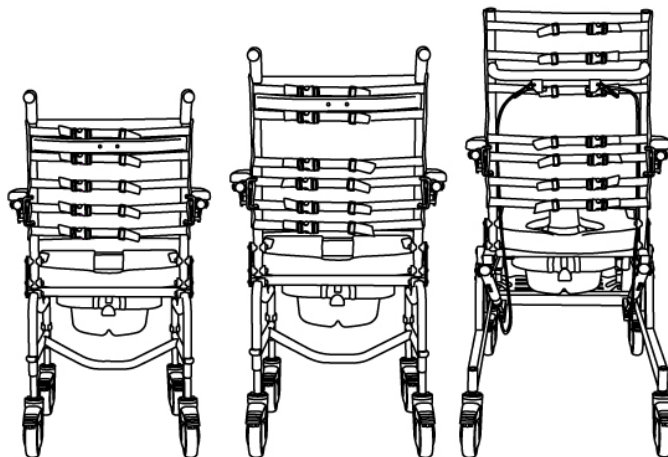
The Raz AT Shower Chair has two back types to be chosen during ordering: a standard back and an optional Adjusta-back. With the standard back, the backrest angles can be set at 85°, 90°, or 95°, and the armrests are mounted at one height and angle, but flip up for transfers. The optional Adjusta-back has adjustable backrest angles (85°, 90°, or 95°) and armrests that can be adjusted in height and angle. They lock automatically when flipped down. If there is a need, the fixed back can be upgraded to have locking armrests. Both back types have adjustable tension upholstery which provides trunk support for optimal positioning and comfort.



- Backrest Options:
- 17" Standard Back
 - 17" Adjusta-Back

 - 20" Standard Back
 - 20" Adjusta-Back

 - 24" Adjusta-Back

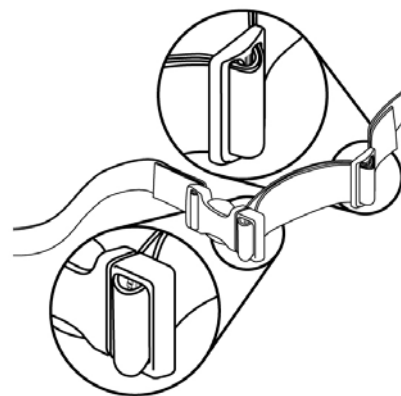


Adjustable Tension Backrest Upholstery Adjustment

In order to adjust the back upholstery, each strap can be tightened or loosened in the buckles to achieve a wide range of positions. For example, the second and third straps from the bottom can be tightened further to create more pronounced support in the lumbar area of the back. The looser the straps of the back upholstery, the more the fabric will sling-in, creating more contact with the user.

Adjustable Tension Backrest Upholstery Removal

In order to remove the back upholstery from the chair, release the buckles on the straps. *Note: The bottom two straps thread through two holes in the armrest brackets on the chair back. In order to remove these, it may help to raise the armrests up.*

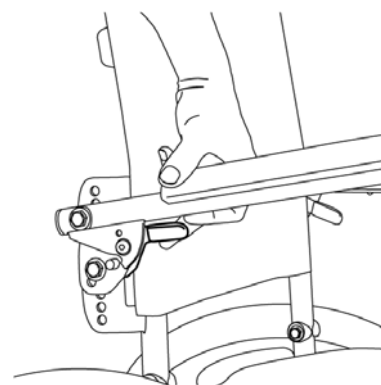


2.3 Armrests

The Raz Shower Chair comes standard with a fixed back and flip-up padded armrests. Any chair ordered with an Adjusta-back will have locking flip-up armrests, and a range for armrest height and angle adjustment to suit the users' needs. Also available for order is a 3.2" larger flat armrest as an alternative to the standard 2.2" armrests. On chairs with an Adjusta-back the armrests are height adjustable within a 3" range in ½" increments. The armrests can be adjusted in height from 7 ½" to 9 ½" with the 17" Adjusta-back and from 8 ½" to 10 ½" with the 20" and 24" Adjusta-backs. The armrest angle can be adjusted up 5° or down 5° if the backrest angle is adjusted from the 90° factory position *on an Adjusta-back only*.

Locking Armrests (standard on the Adjusta-back and optional on the standard back)

To flip up the locking armrests, release the arm lock by lifting the blue trigger underneath the armrest tube and lift the armrest up.



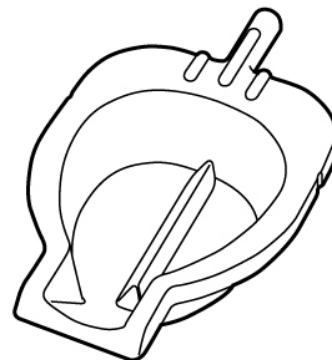
IMPORTANT !

ARMRESTS ON RAZ AP AND SP MODELS ARE NOT INTENDED TO SUPPORT THE ENTIRE BODY WEIGHT OF AN INDIVIDUAL. TOO MUCH WEIGHT MAY CAUSE DAMAGE OR MAY CAUSE THE CHAIR TO TIP.

2.4 Commode Pan

The Raz commode pan was designed with an elongated form that rests directly under the seat to minimize the occurrence and risk of backspray. A unique splash reduction ridge is located at center of the pan. The high gloss surface facilitates cleaning and rinsing, while the pouring spout and handle facilitate emptying the contents of the pan. Removal of the commode pan is achieved by sliding the pan rearward.

Note: When replacing the pan under the seat, ensure that the pan clicks into the stainless steel brackets and is centered under the seat aperture. If the brackets do not hold the commode pan under the seat securely, squeeze the metal brackets inward for realignment.

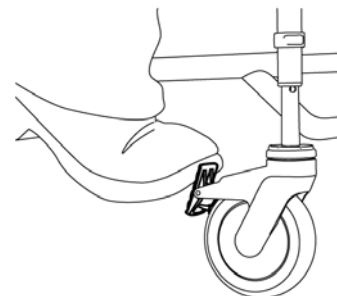


2.5 Casters

Each Raz Rehab Shower Chair caster is equipped with a dual lock feature which stops the caster from swivelling and rolling simultaneously.

To activate the dual lock, step on the end of the caster lock lever until it latches in the on position.

To deactivate the dual lock, step on the raised end of the caster lock lever until it latches in the off position.



2.6 Directional Caster Lock

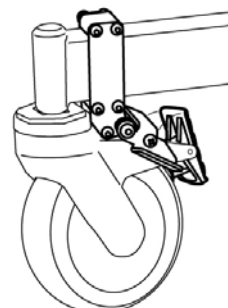
A directional caster lock can be added to one caster on the Raz AT Shower Chair to facilitate linear movement of the commode and especially manipulation in confined environments. The flip-down directional lock keeps one rear caster aligned in a forward direction. This feature is provided to facilitate the pushing of the chair by reducing unwanted sideways movement. Close-quarters manoeuvrability may be easier with the directional lock in the off (upwards) position.

To engage the directional caster lock:

1. Ensure that the dual caster locks are not activated and that each caster can swivel and roll freely.
2. Pull the shower chair rearward until the rear casters swivel to their forward positions, directly under the frame tube.
3. Flip the directional lock guide latch down to its on position so that it cradles and holds the caster in the forward position.

Note: If the caster is not perfectly in-line with the frame, the spring-loaded latch, once activated, will engage if the rear caster is slowly swung around.

4. To disengage the directional caster lock, flip the spring-loaded latch up to its off position.



IMPORTANT !

ALWAYS RELEASE THE DIRECTIONAL LOCK AND SWIVEL ALL FOUR CASTERS TO THEIR OUTWARD POSITION, LOCKING THEM FOR MAXIMUM STABILITY BEFORE EVER TRANSFERRING OR TILTING A USER.

2.7 Tilt Function

The Raz AT Shower Chair tilts up to 40° to provide comfort and relieve pressure for the user. Two gas assisted springs facilitate this operation for attendants and make the tilt smooth for the user.

To tilt the chair the attendant must squeeze both tilt triggers and move the chair into the desired angle.

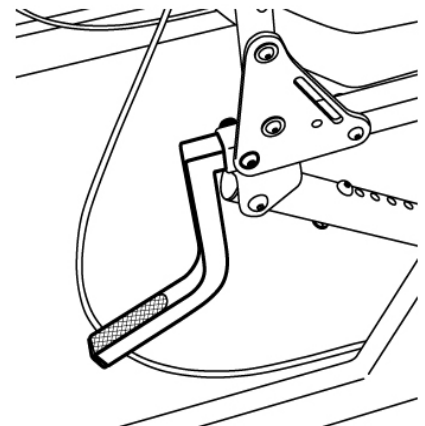
To lock the chair in place the triggers are simply released.

Directly after purchase the triggers and springs may seem stiff to an attendant, this stiffness is normal and diminishes with use. Some attendants may feel the need for a tilt assist pedal which enables the attendant to place one foot on the lever to facilitate tilting. The tilt function must only take place when the casters are locked. Note: When the chair is mounted at the lowest height setting the maximum potential tilt angle is 40°. The higher the chair is set, the fewer degrees the chair can be tilted back. (e.g. with a seat to floor height of 25" the chair can only be tilted back 36°)



2.8 Tilt Assist Pedal

A tilt assist pedal can be ordered with the Raz AT Shower Chair to facilitate tilting the chair for attendants. The tilt assist pedal can be mounted on either the left or right side of the chair depending on the attendant's preference. The installation of a tilt assist pedal should be performed by a qualified healthcare professional.



IMPORTANT !

DO NOT ATTEMPT TO TILT A RAZ SHOWER CHAIR IF THE ATTENDANT IS PHYSICALLY INCAPABLE OF SAFELY AND SMOOTHLY OPERATING THE TILT MECHANISM WITH A USER OCCUPYING THE CHAIR. ANY ATTENDANT MUST BE FAMILIAR WITH PROPER TILTING TECHNIQUES PRIOR TO ASSISTING A USER IN THE SHOWER COMMUNE. A PELVIC STRAP IS RECOMMENDED FOR ANY USER AS AN EXTRA SAFETY PRECAUTION.

2.9 Swing-Away Lateral Supports

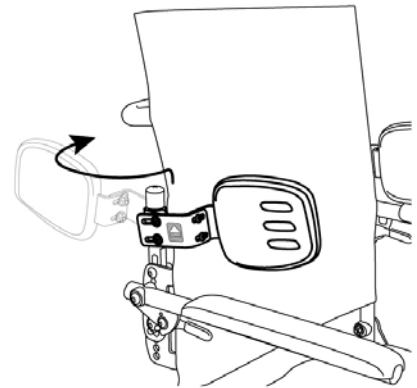
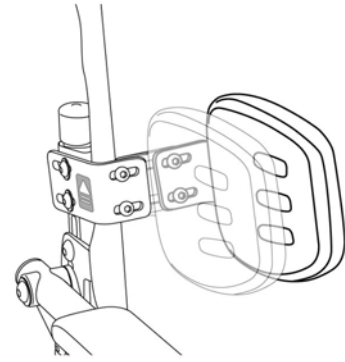
The Raz Shower Chair may be fitted with optional lateral supports. Lateral supports are designed to assist a user in maintaining an upright posture in the Raz Shower Chair. One or two lateral supports may be mounted on any Raz model. The molded foam pads have a soft foam exterior, contoured to hug the torso, with a solid insert to provide strength for positioning. An extension plate can be ordered as an option to attain additional forward extension of the lateral support pad. The lateral pads can be adjusted medially up to 1½" on both sides of the chair for slighter individuals. The lateral supports can be adjusted towards or away from the chair back within a range of 1". The lateral support pads can also be angled to meet the users' needs. Both lateral support pads lock facing forward and behind the backrest.

To release a lateral support pad from the forward position:

1. Grasp one pad bracket at the blue arrow decal and lift up.
2. Once released, rotate the lateral to a position behind the back and press down above the decal to lock the pad in place.
3. Repeat for the other lateral support if desired.
4. Check to ensure that the laterals are locked in place before allowing the user to rest against them.

To release a lateral support pad from the rearward position:

1. Grasp the pad bracket near the mounting post and lift up.
2. Once released, rotate the lateral pad around to the front and press down above the decal to lock the pad in place.
3. Repeat for the other lateral support if desired.
4. Check to ensure that the laterals are locked in place before allowing the user to rest against them.



IMPORTANT !

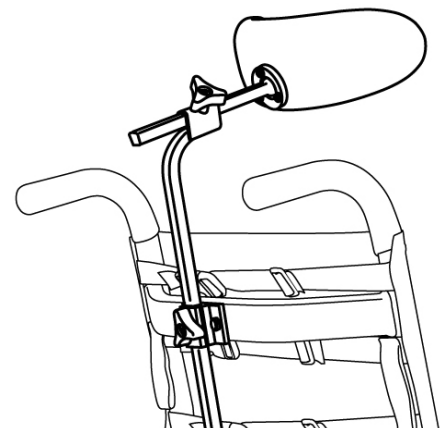
ALL ADJUSTMENTS TO LATERAL SUPPORT PADS (UP/DOWN, MEDIAL/ LATERAL, AND ANGLE) MUST BE PERFORMED BY A QUALIFIED HEALTHCARE PROFESSIONAL. ALL ADJUSTMENTS PERFORMED MUST NOT IMPEDE THE OPERATION OF OTHER COMPONENTS.

2.10 Headrest

The optional headrest can be ordered with any Raz Shower Chair model. The molded headrest is shaped to cradle the head comfortably and is easy to clean. The headrest can be adjusted infinitely forward and backwards within a 6½" range, and vertically within a 12½" range.

In order to adjust the headrest position:

1. Loosen the bottom triangular knob and adjust the vertical "swan neck" bar to achieve headrest height adjustment.
2. Loosen the top triangular knob and adjust the headrest post horizontally for a fore/aft change in position.
3. To change the angle of the headrest itself, loosen (*do not remove*) the three screws on the back of the moulded headrest. Rotate the headrest around the end of the headrest mounting post to suit users' needs and tighten the screws to secure the desired position.
4. Ensure that all knobs and screws are tightened securely for the user's safety.



2.11 Footrests

Footrests are available as an option on all Raz Shower Chairs. Footrests are recommended for users who need an extra level of comfort, positioning, or pressure relief in the thighs. The footplates flip up and rotate out of the way for transfers or can be removed entirely. To rotate the footrests out, lift the footrest hanger tube up slightly to disengage the positioning pins, and rotate the footrests outward or inward depending on preference.

To remove the footrests, lift the footrests out of the receiving sleeves on the frame completely.

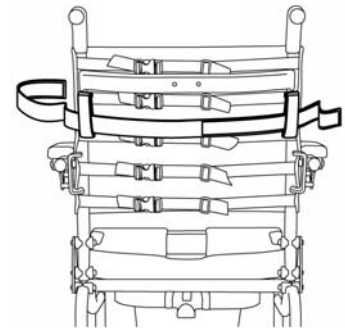
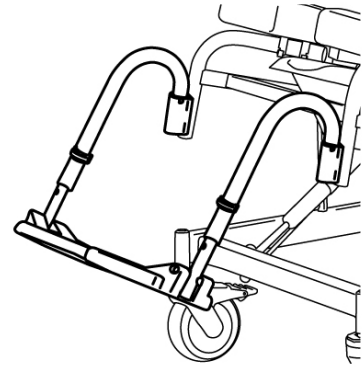
To insert the footrests:

1. With the footplates directed in, place the footrest hanger tubes into the receiving sleeves at the front of the commode frame.
2. If the support tubes are directed forward, the pins on the tubes will engage with grooves in the sleeves and lock in place.

Footrests can be extended for users with longer legs with the footrest extension tube, a 2" longer extension tube can be ordered as an option for any Raz Shower Chair.

To extend the footrests:

1. Remove the snap-pin from one footrest hanger tube.
2. Reposition the footplate to a length suitable for the user.
3. Insert the snap-pin through the footrest hanger tube and through the inner tube. *Ensure that the snap pin is completely through the tube and that the grey plastic clip is snapped securely around the outside of the hanger tube.*
4. Repeat steps 1 to 3 for the other footrest.



2.12 Chest Strap

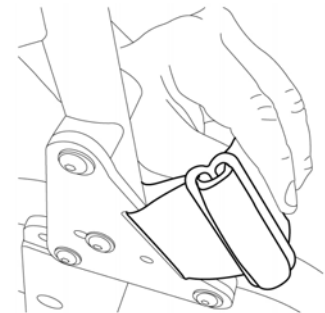
An optional one-piece chest strap can be attached to any Raz model. The back upholstery includes loops that are intended as strap guides.

To install the chest strap:

1. Insert one side of the strap through both back loops.
2. With the user in the chair, thread one end of the strap through the plastic moulded loop on the other end.
3. Secure the strap in front of the user with the Velcro closure end.

To adjust the chest strap:

1. Open the Velcro on the strap.
2. Tighten or loosen the strap around the user as needed.



2.13 Pelvic Strap

An optional two-piece pelvic support strap can be ordered with the shower chair and can be attached to any Raz model. The pelvic strap uses heavy-duty webbing and a secure buckle for one-handed operation.

To install the pelvic strap:

1. Weave the loose end of one strap through the DD-ring and slide the DD-ring several inches from the end.
2. Feed the strap through the slot in the backrest mounting plate – from the inside to the outside and then weave the loose end back through the DD-ring.
3. Repeat steps 2 and 3 for the other side.
4. Adjust the DD-ring and tighten the pelvic strap as necessary.
5. Pull tightly on each strap to ensure that it is secured properly.



2.14 H-Strap

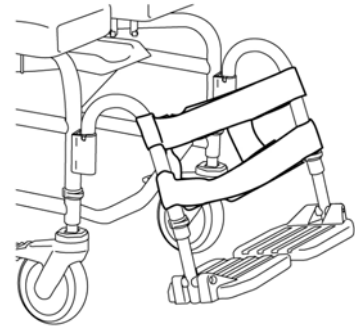
An optional one-piece H-strap can be attached to the footrests on any Raz model. The H-strap is recommended for individuals who require additional positioning for the legs and feet.

To install the H-strap:

1. With the Velcro facing towards the chair, center the strap horizontally between both footrest hanger tubes and wrap the loop Velcro around the tubes until it engages with the hook Velcro.

To adjust the H-strap:

1. Disconnect the Velcro from the back of the H-strap and adjust to sling or tighten the H-strap to suit the users' needs.
2. Press firmly on the Velcro to secure the H-strap prior to use.

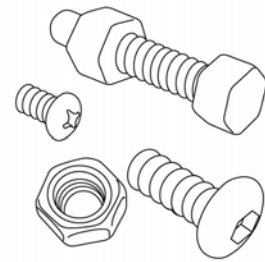


IMPORTANT !

ANY ADJUSTMENTS TO THE CHAIR'S STRAPS SHOULD BE PERFORMED WITH EXTREME CAUTION AS THE USER'S SAFETY IS DEPENDENT ON SECURE POSITIONING STRAPS.

2.15 Fasteners

All fasteners (locknuts, screws, and washers) should be checked periodically to ensure that they are snug and do not pose risk to the user. All nuts used on your Raz Shower Chair are locknuts or are used in conjunction with a lock washer. Locknuts that are removed for any reason should be replaced rather than re-used. The fasteners should be checked periodically to ensure a secure fit.



IMPORTANT !

A QUALIFIED RAZ DEALER SHOULD BE CONTACTED TO CHECK ALL FASTENERS, CASTER AND WHEEL LOCKS, HARDWARE, AND ALL OTHER MOVING COMPONENTS AT LEAST ONCE PER YEAR.

3.0 CLEANING AND MAINTENANCE

3.1 Cleaning After Each Use

Commode Pan

1. Remove the commode pan and empty contents.
2. Wash the pan with a multi-purpose disinfectant cleaning solution. Use a toilet brush if needed.
3. Rinse well before storage or re-use.

Note: A soapy hot water wash followed by a disinfectant spray can be substituted for a multi-purpose disinfectant cleaning solution

IPAS Seat

1. Spray with a multi-purpose disinfectant cleaner and scrub with a brush if needed.
2. Rinse with a water spray before storage or re-use.
DO NOT immerse the shower chair seat in water or cleaning solutions.
3. For a more thorough cleaning, remove the seat from the shower chair to allow better access to the underside of the seat around the opening or aperture area of the seat.
See section 2.1 for seat removal instructions.

3.2 Cleaning As Needed

Adjustable Tension Backrest Upholstery

1. Remove the plastic buckles and tri-glides from the back upholstery straps, paying attention to how the straps are wound through each component as they are removed.
2. Remove the back upholstery from the back frame and machine wash with a mild detergent in warm water on a normal or gentle wash cycle. Include the H-strap, pelvic and chest straps if they were ordered with the chair and require cleaning.
3. Install the back upholstery and other positioning straps on the chair and allow to dry.
DO NOT dry the back upholstery in a clothes dryer or damage to the upholstery will occur.
4. Install the back upholstery on the back frame and assemble all plastic buckles and tri-glides onto the straps.
5. Adjust the backrest upholstery straps to the desired tension.

Frame, Armrests, Footrests, and Other Components

1. Spray the frame and components with a multi-purpose disinfectant cleaner, scrub with a soft brush and rinse with water.
2. If necessary, spray the frame and components with a diluted (10 parts water to 1 part solution) calcium/lime remover, scrub with a soft brush and rinse thoroughly with water.
DO NOT mix a calcium/lime removal solution with any other liquid or toxic fumes may result.

It is recommended that a qualified Raz dealer check over all fasteners and subassemblies on a continuing basis or if there is cause for concern to the shower chair's performance.

It is highly recommended that the rinsing of Raz shower chair components occur in a well drained area with an industrial steam cleaner (e.g. Intersteam) or a commercial pressure washer.

Several times each year the chair and its components should be wiped down with a diluted calcium/lime removal solution reduce deposits, followed by a hot water rinse.

To minimize the risk of mildew buildup the entire chair should be wiped down with a soft dry cloth after the final rinse and before storage or use.

3.3 Suggested Cleaning Products

Task	Recommended Products
General Cleaning	Antibacterial Soap
Tuberculocidal Surface Cleaner and Intermediate Level Disinfectant	Accel TB (Virox Technologies Inc.), SepteFX 7D-11 (Titan Worldwide Inc.)
Calcium and Lime Deterrent	CLR Outdoor Furniture Cleaner

IMPORTANT !

DO NOT USE ABRASIVE POWDERS OR SCOURING PADS ON THE RAZ SHOWER CHAIR.

DO NOT SUBMERGE THE RAZ SHOWER CHAIR IN WATER.

DO NOT USE CLEANING PRODUCTS WITHOUT CONSULTING THE PRODUCTS' INSTRUCTIONS AND TAKING APPROPRIATE PRECAUTIONS FOR HUMAN EXPOSURE TO CHEMICALS DURING CLEANING AND AS A RESIDUE WHEN THE SHOWER CHAIR IS IN USE.

4.0 CONTACTS

It is important that the Raz Rehab Shower Chair be properly assembled and all adjustments be made carefully. Up-to-date manuals can be downloaded from www.razdesigninc.com. For clarification of any section of this manual, contact a local Raz dealer, the Canadian distributor, or manufacturer.

IN CANADA
Dynamic Health Care Solutions
Bolton, Ontario Canada
905.951.8541 / 866.875.2877
info@dynamichcs.com

IN THE U.S.A
Raz Design Inc.
Toronto, Ontario Canada
1.877.720.5678
info@razdesigninc.com