

lifetime limited warranty

Your Drive branded product is warrantied to be free of defects in materials and workmanship for the lifetime of the product for the original consumer purchaser.

This device was built to exacting standards and carefully inspected prior to shipment. This Lifetime Limited Warranty is an expression of our confidence in the materials and workmanship of our products and our assurance to the consumer of years of dependable service.

This warranty does not cover device failure due to owner misuse or negligence, or normal wear and tear. The warranty does not extend to non-durable components, such as rubber accessories, casters, and grips, which are subject to normal wear and need periodic replacement.

If you have a question about your Drive device or this warranty, please contact an authorized Drive dealer.



© 2014 Medical Depot, Inc. All rights reserved.

Drive is a trademark of Medical Depot, Inc.

Port Washington N.Y. 11050 USA Made in China

Rev.2.03.19.14

toilet safety frame

item # 12001-4



EU Authorized Representative
Drive Medical LTD
Ainley's Industrial Estate
Elland, West Yorkshire,
United Kingdom HX5 9JP

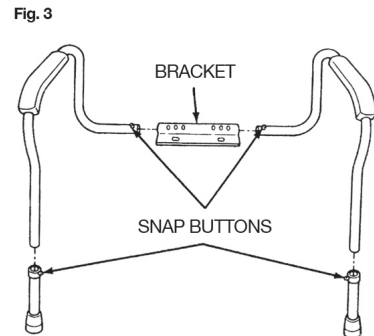
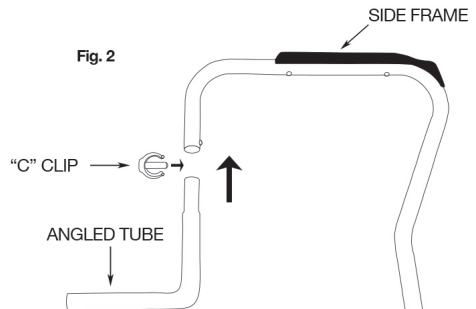
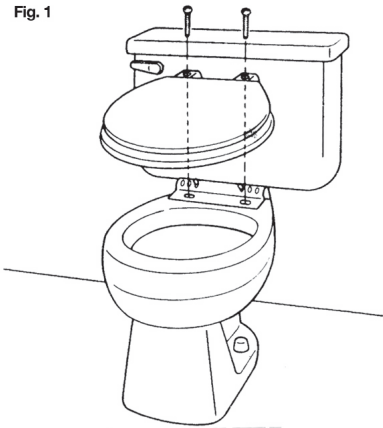
www.drivemedical.com



installation instructions

1. Detach seat by first removing toilet seat bolts.
2. Place the rail mounting bracket on the toilet bowl and align the holes. Ensure tube on bracket is to the rear closest to the tank (Fig. 1).
3. Replace toilet seat and align holes (Fig. 1). Insert bolts through toilet seat and bracket using original nuts and secure.
4. Connect angled tubes to side frames using "C" Clips (Fig. 2).
5. Slide assist rails into bracket and secure them with built-in snap buttons. (Fig. 3).
6. Set rail to desired width and height using the built-in snap buttons. Make sure all built-in snap buttons are secured before use of product.

WEIGHT CAPACITY: 300 LBS (136 KG)



driveTM

www.drivemedical.com

toilet
safety
frame



EU Authorized Representative
Drive Medical LTD
Ainley's Industrial Estate
Elland, West Yorkshire,
United Kingdom HX5 9JP

www.drivemedical.com

driveTM

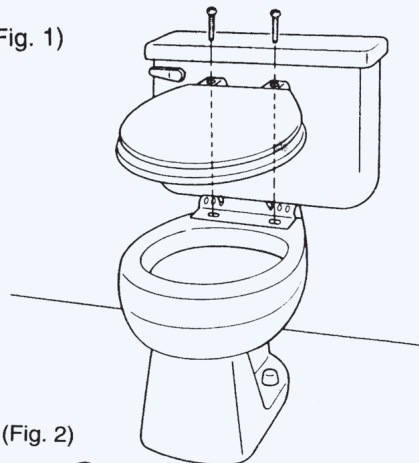
installation instructions

WEIGHT LIMIT 300 LBS

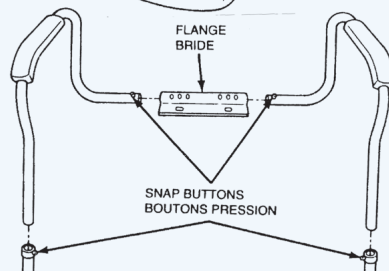
1. Detach seat by first removing toilet seat bolts
2. Place the rail mounting flange on the toilet and align the holes
3. Place toilet seat and align holes. (Fig 1)
4. Realign bolts and tighten securely.
5. Slide assist rails into Flange Bride and secure them with built-in snap buttons. (Fig 2)
6. Set rail to desired width and height using the built-in snap buttons. Make sure all built-in snap buttons are secured before use of product.



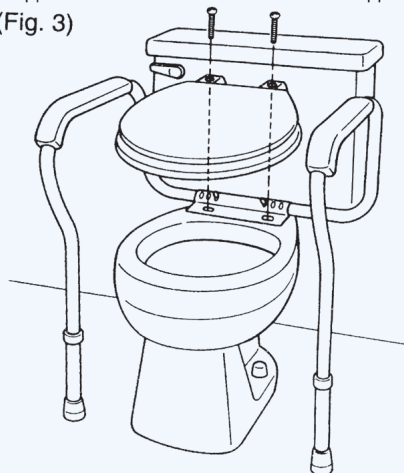
(Fig. 1)



(Fig. 2)



(Fig. 3)



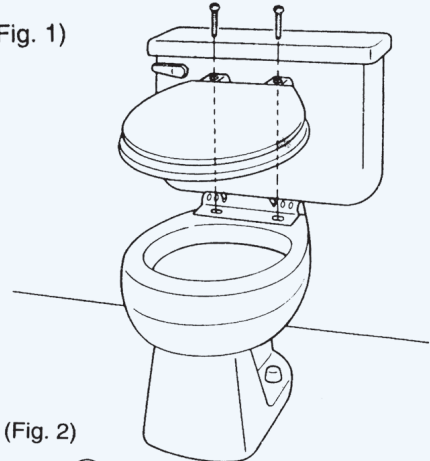
instrucciones de instalación

CAPACIDAD 300 LBS DE PESO

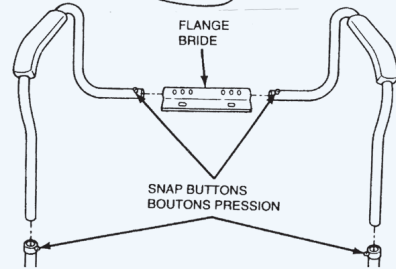
1. Quite el asiento removiendo primero los tornillos del asiento del inodoro.
2. Coloque la placa de montaje de la barra en el inodoro y alinee los orificios.
3. Coloque el asiento del inodoro y alinee los orificios (Fig 1).
4. Realinee los tornillos y ajústelos firmemente.
5. Deslice las barras de ayuda dentro de la parte tubular de la placa y asegúrelas con los botones de presión incorporados (Fig 2).
6. Ajuste la barra a la anchura y altura deseadas usando los botones de presión incorporados. Asegúrese que todos los botones de presión incorporados están firmes antes de usar el producto.



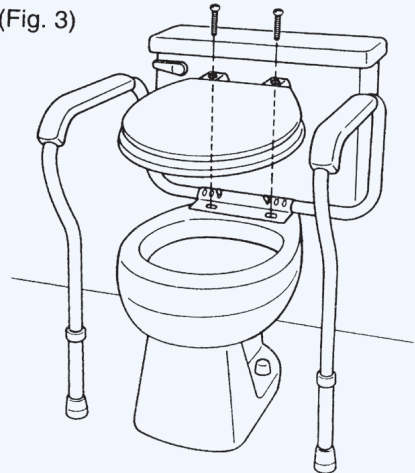
(Fig. 1)



(Fig. 2)



(Fig. 3)



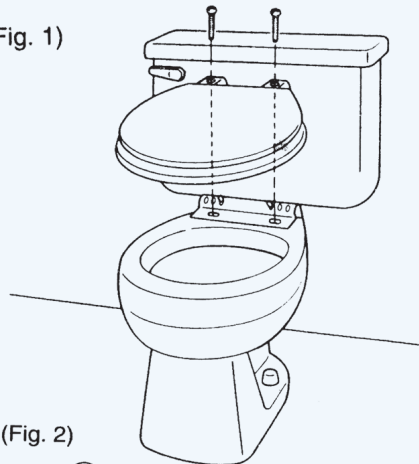
directives d'installation

CAPACITÉ DE POIDS DE 300 LBS

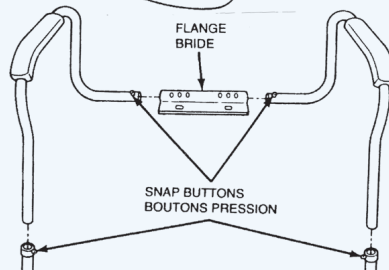
1. Enlevez premièrement le siège du WC en enlevant les vis.
2. Placez la bride montée sur rail sur le WC et alignez les trous.
3. Replacez le siège et alignez les trous. (Fig 1)
4. Réalignez les vis et serrer fermement.
5. Glissez les rails dans la collerette de la bride et fixez solidement à l'aide des boutons-poussoirs incorporés. (Fig 2)
6. Ajustez le rail à la largeur et la hauteur désirée à l'aide des boutons-poussoirs. Avant utilisation, assurez-vous que tous les boutons-poussoirs sont fermement en place.



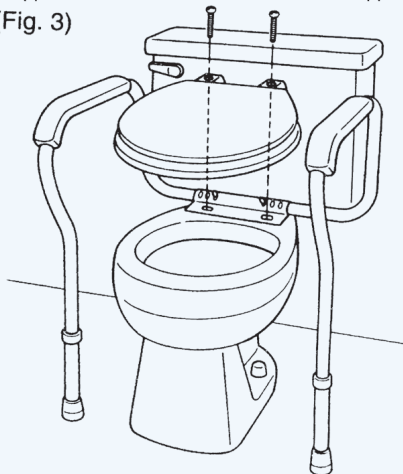
(Fig. 1)



(Fig. 2)



(Fig. 3)



lifetime limited warranty

Your Drive brand product is warranted to be free of defects in materials and workmanship for the lifetime of the original consumer purchaser.

This device was built to exacting standards and carefully inspected prior to shipment. This Lifetime Limited Warranty is an expression of our confidence in the materials and workmanship of our products and our assurance to the consumer of years of dependable service.

This warranty does not cover device failure due to owner misuse or negligence, or normal wear and tear. The warranty does not extend to non-durable components, such as rubber accessories, casters, and grips, which are subject to normal wear and need periodic replacement.

If you have a question about your Drive device or this warranty, please contact an authorized Drive dealer.



© 2012 Medical Depot, Inc. All rights reserved.

Drive is a trademark of Medical Depot, Inc.

Port Washington N.Y. 11050 USA Made in China

garantía limitada de por vida

Su producto marca Drive está garantizado de por vida del comprador-consumidor original de no tener defectos en los materiales y la fabricación.

Este aparato fue construido de acuerdo a estándares rigurosos y cuidadosamente inspeccionado previo a su envío. Esta Garantía Limitada de por Vida es una expresión de nuestra confianza en los materiales y la fabricación de nuestros productos y nuestra seguridad para el consumidor dada por años de servicios confiables.

Esta garantía no cubre fallas del aparato debidas a mal uso o negligencia por parte del propietario o por el uso y desgaste normales. Esta garantía no se extiende a los componentes no durables, tales como los accesorios de goma, rueditas y mangos que están sujetos a desgaste normal y necesitan reemplazo periódico.

Si usted tiene preguntas acerca de su aparato Drive o esta garantía, por favor contacte a un representante autorizado de Drive.



© 2012 Medical Depot, Inc. All rights reserved.

Drive is a trademark of Medical Depot, Inc.

Port Washington N.Y. 11050 USA Made in China

garantie à vie limitée

Ce produit Drive est garanti d'être exempt de tout défaut de matériau, de fabrication ou de main d'oeuvre, auprès du propriétaire original et ce, pour la durée de la vie de celui-ci.

Cet appareil a été fabriqué selon des normes de qualité rigoureuses et inspecté avant de quitter l'usine. Cette garantie à vie limitée, est un témoignage de la confiance que nous portons aux matériaux, à la main d'oeuvre, ainsi qu' aux procédés de fabrication requis pour produire nos appareils afin qu'ils puissent vous assister de manière fiable et sécuritaire pendant de nombreuses années.

Cette garantie ne peut être invoquée dans les cas d'usage inapproprié de l'appareil, en cas de négligence ou d'usure normale. Cette garantie ne couvre pas les pièces qui, de par leur nature, ont une durée de vie plus courte, tel que les embouts de caoutchouc, poignées de mousse, roues et pneus, qui doivent être périodiquement remplacés.

Pour toute question sur cet appareil ou sur sa garantie, veuillez svp, contacter votre détaillant autorisé de produits Drive.

The logo for Drive Medical, featuring the word "drive" in a bold, blue, lowercase sans-serif font. A small yellow square is positioned above the letter 'i'. A trademark symbol (TM) is located at the top right of the word.

© 2012 Medical Depot, Inc. All rights reserved.

Drive is a trademark of Medical Depot, Inc.

Port Washington N.Y. 11050 USA Made in China

A large, vertical version of the Drive logo. The word "drive" is written in white, lowercase letters on a dark blue background. A small yellow square is positioned above the letter 'i'. A trademark symbol (TM) is located at the top right of the word.

www.drivemedical.com